



Knobs or Pulls Assembled on a Drawer

Information needed for Knobs:

Dimension A: The thickness for this is determined by which knob you decide on.

Dimension B: Measure your drawer front thickness

Dimension C: Measure your drawer box thickness.

Dimension D: Total thickness of drawer. (B) and (C) added together.

Information needed for Pulls:

Dimension B: Measure your drawer front thickness

Dimension C: Measure your drawer box thickness.

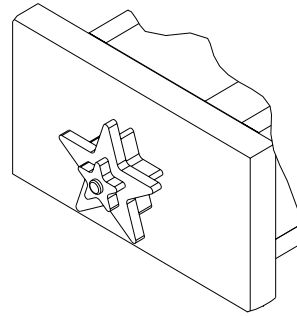
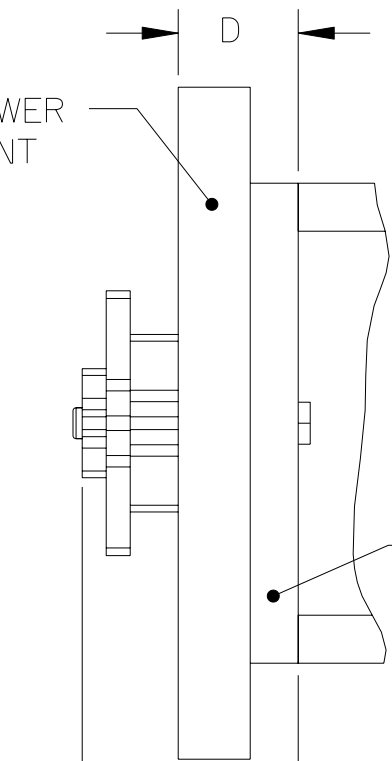
Dimension D: Total thickness of drawer. (B) and (C) added together.

Dimension F: Measure from hole center to center to determine which size pull will fit. If there are no holes then you may choose any size.

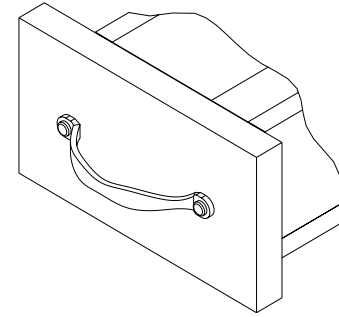
By giving us the above data for each knob or pull we will be able to determine which is the best length of screw (E) you will need per knob or pull. We also need to know how many knobs, hooks or pulls you will be ordering to make sure we supply the right amount of hardware. We supply a nylon washer to go between the knob and mounting surface (your drawer front). We also supply a sleeve for knob assemblies which you will drill a new hole or enlarge the current hole in your drawer. We will supply two hex nuts for each of your pulls. We may be able to custom order a pull for you if your hole center to center dimension (F) is different than our standard sizes. Please call if this is the case.

FOR DRAWER KNOBS OR PULLS

DRAWER FRONT

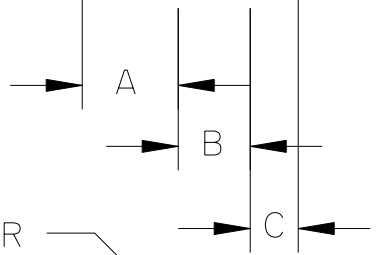


SCALE 1/4



SCALE 1/4

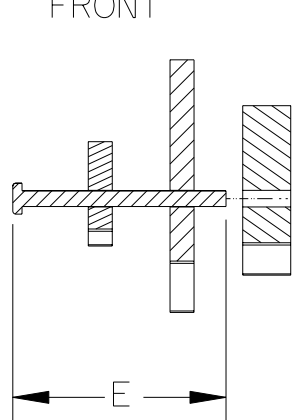
DRAWER BOX



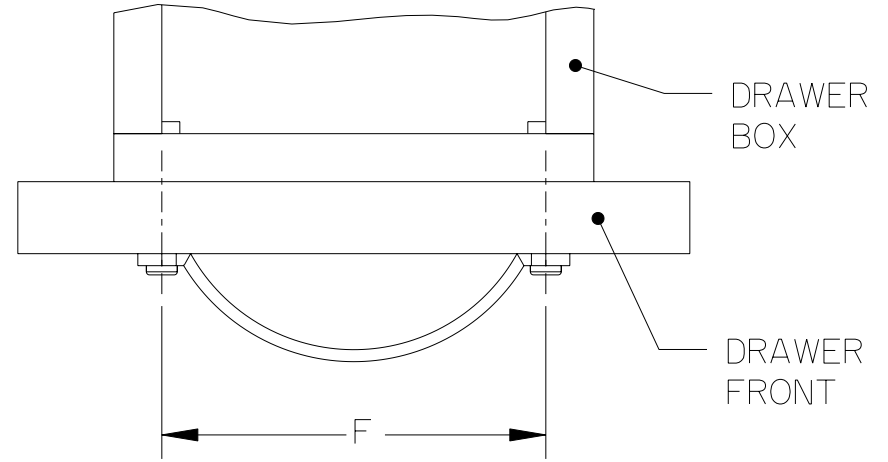
DRAWER FRONT

DRAWER BOX

SLEEVE



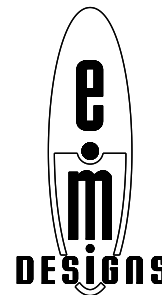
SECTION VIEW
SCALE 1/2



DRAWER BOX

DRAWER FRONT

SCALE 1/2



171 OCEAN BLVD.
PO BOX 97
HALF MOON BAY, CA 94019
(650) 728-3406 MAIN
(650) 728-3436 FAX
© 2002 E-M DESIGNS, INC.
ALL RIGHTS RESERVED



Knobs or Pulls Assembled on a Cabinet Door

Information needed for Knobs:

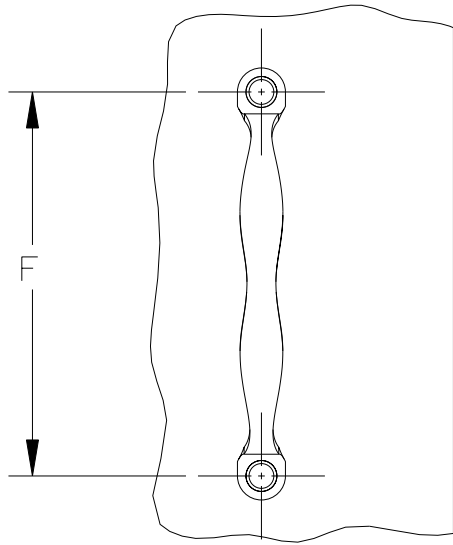
Dimension B: Measure your cabinet door thickness.
We will need to know the thickness of the knob you picked out as well.

Information needed for Pulls:

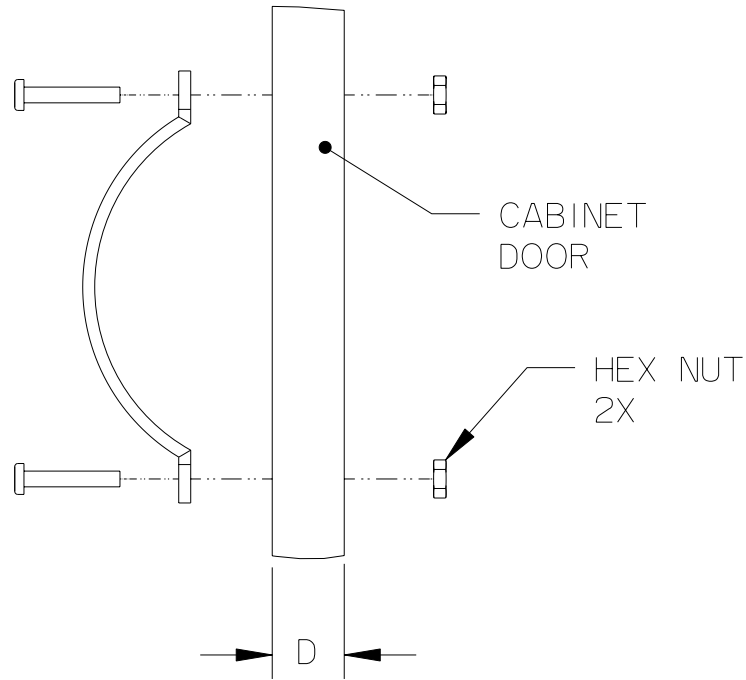
Dimension F: Measure from hole center to center to determine which size pull will fit.
Dimension D: Measure your cabinet door thickness.

By giving us the above data for each knob or pull we will be able to determine which is the best length of screw (E) you will need per knob or pull. We also need to know how many knobs, hooks or pulls you will be ordering to make sure we supply the right amount of hardware. We supply a nylon washer to go between the knob and mounting surface (your cabinet door). We also supply a sleeve for knob assemblies which you will drill a new hole or enlarge the current hole in your drawer. We will supply two hex nuts for each of your pulls. We may be able to custom order a pull for you if your hole center to center dimension (F) is different than our standard sizes. Please call if this is the case.

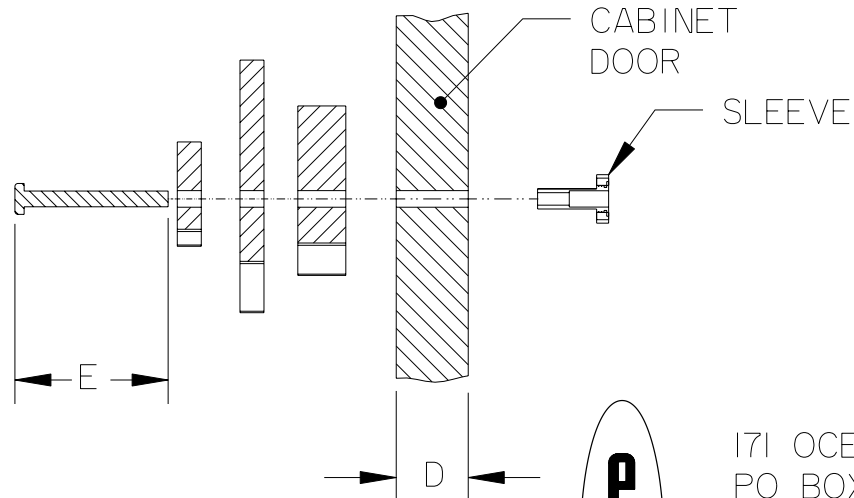
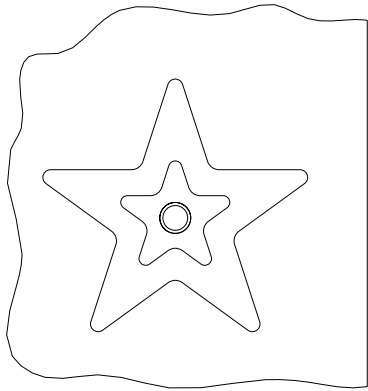
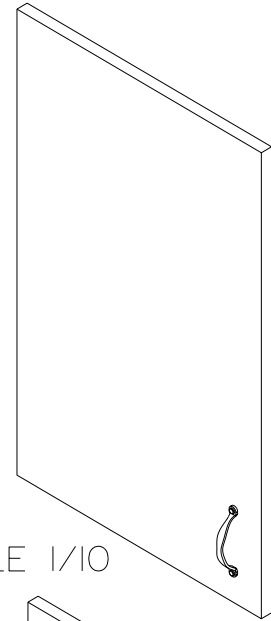
FOR CABINET KNOBS OR PULLS



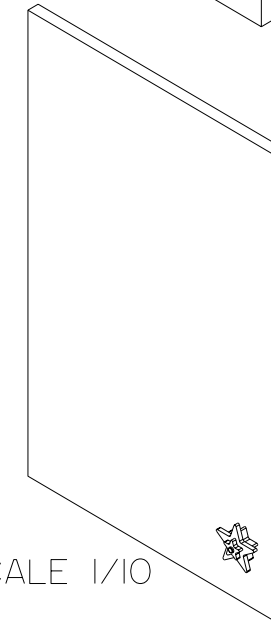
SCALE 1/2



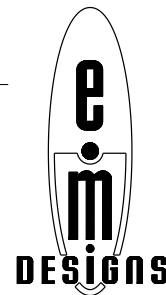
SCALE 1/10



SCALE 1/10



SECTION VIEW
SCALE 1/2



171 OCEAN BLVD.
PO BOX 97
HALF MOON BAY, CA 94019
(650) 728-3406 MAIN
(650) 728-3436 FAX
© 2002 E-M DESIGNS, INC.
ALL RIGHTS RESERVED



Hooks Assembled on a Wall

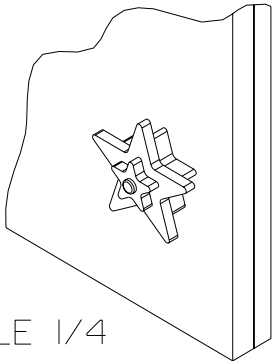
Hook: The thickness for this is determined by what you decide on.

A plastic anchor is supplied.

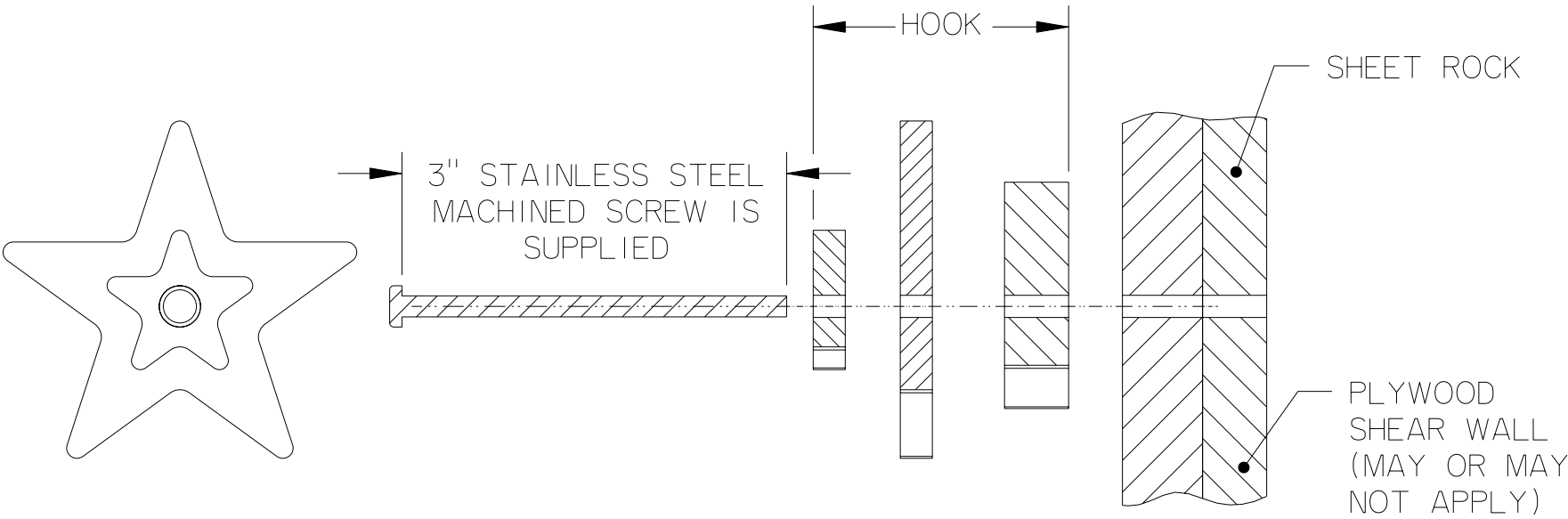
Use 3" stainless steel machined screw supplied to mount hook to wall.

If you have a shear wall or stud behind the sheet rock, you will have to buy an expansion anchor.

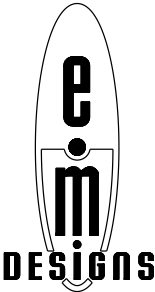
FOR WALL HOOKS



SCALE 1/4



SECTION VIEW



171 OCEAN BLVD.
PO BOX 97
HALF MOON BAY, CA 94019
(650) 728-3406 MAIN
(650) 728-3436 FAX
© 2002 E-M DESIGNS, INC.
ALL RIGHTS RESERVED